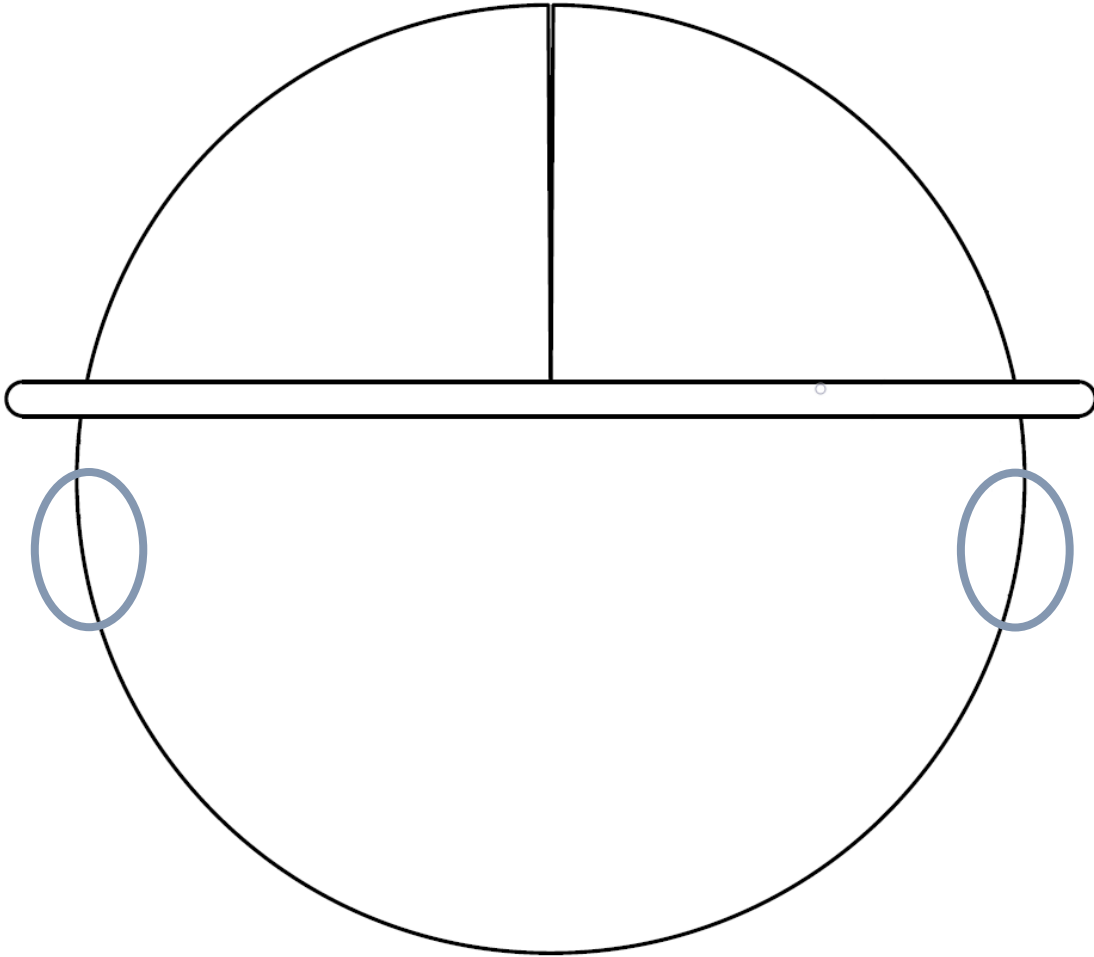


## Dawn wall lamp manual



### Content

- Wall Lamp
- Mounting screws and plugs
- Fixing tape

### Precautions

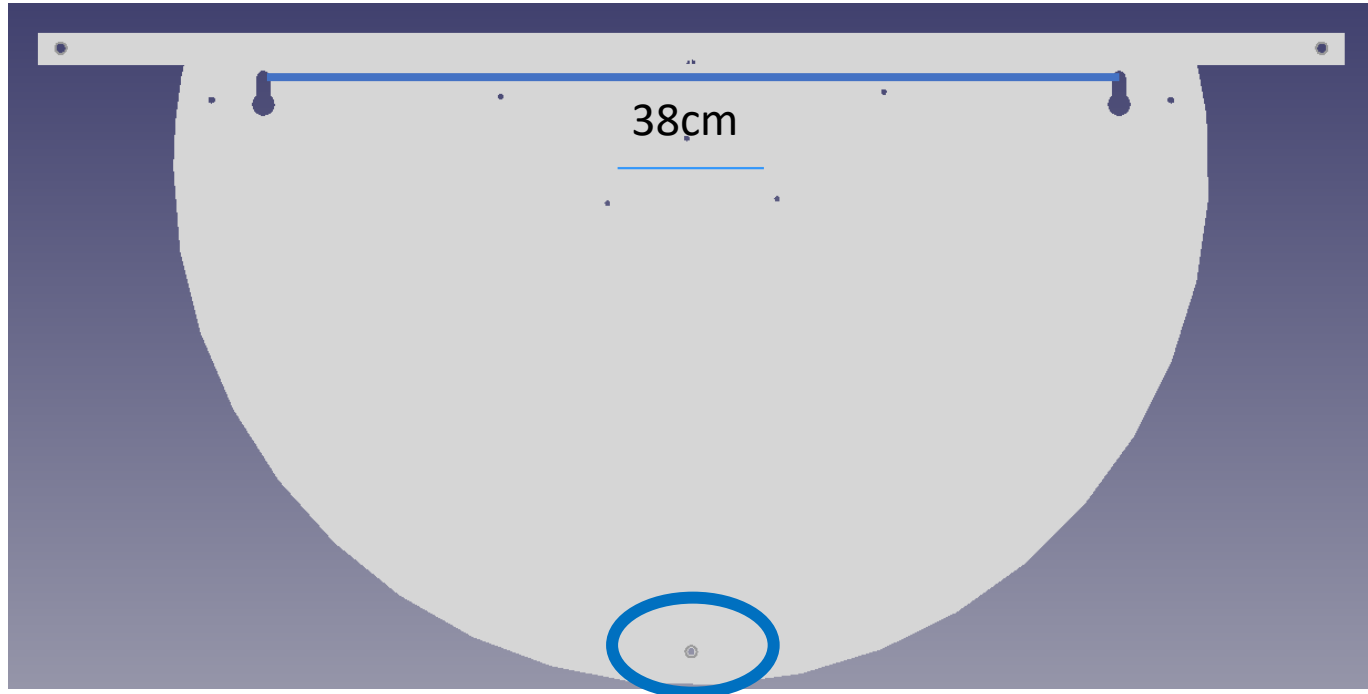
- Only indoor use
- Wipe only with a clean damp cloth
- The paper will retain curves when opened
- This is a handmade lamp.
- Pull in the marked area to open and close the screen, note that there is a stop to protect the opening only allowing 16 degrees of opening in each side

### Specifications

- 2x 6w LEDs dimmed
- Oak wood feature oiled
- Washi paper coated and light blocked

## Mounting

- Measure and mark out the mounting holes
- Attach the mains cable in the terminal
- Note the distance between mounting holes 38cm



Place the mounting tape over the 2 distance pads located in the circle above



## Dimming

- Move towards the wall to turn off
- Move away from the wall to increase light