

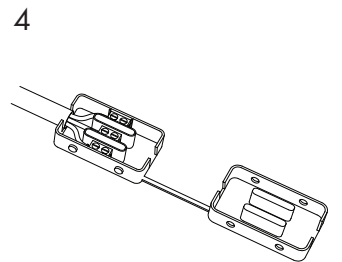
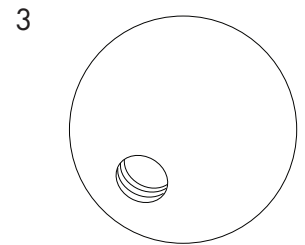
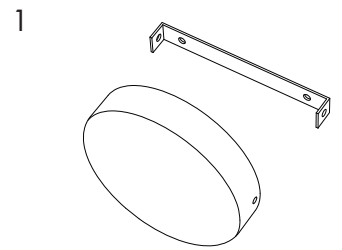
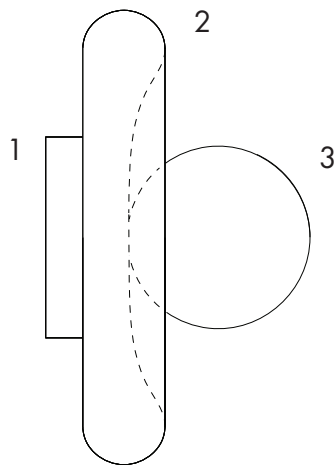


ORIGIN MADE

Nest Lamp

Designed by Gabriel Tan

Handcrafted by João Marcelino, Pedro Eira and Carlos Freitas



Components

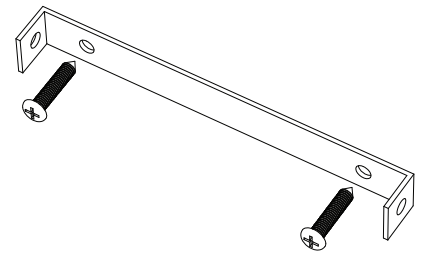
- 1 – Brass back plate
- 2 – Wood or stone base
- 3 – Blown glass globe
- 4 – Connection box



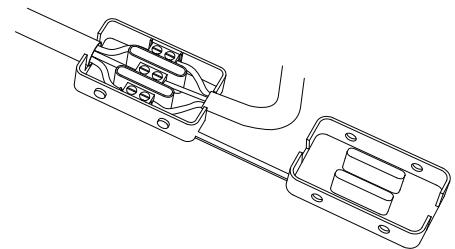
Instructions

1. The power supply needs to be turned off.

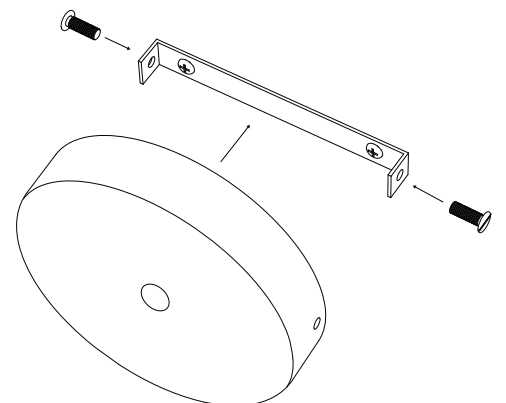
Once this is done, make sure to place the supply cable in the right spot to eventually make the connection to the lamp cables. Make sure you use wall plugs and screws that are suitable for the ceiling / wall of installation. The Nest Lamp has a range of weight from 1.5 kg to 3.5 approximately depending of the material, so the load capacity of the ceiling / wall must be considered. Perforate two holes in the ceiling / wall and insert the wall plugs, after mount the metal bracket (part of the brass back plate) with screws.



2. Make the electrical connection between the supply cable and the connection box, connecting the wires from the lamp with the ones from the power supply. Afterwards, close the box and place it inside the brass back plate.



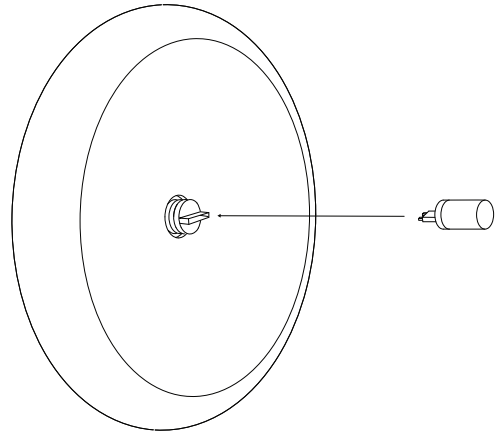
3. Place the brass back plate, already connected to the lamp, onto the metal bracket and secure them together with the screws on the side.





ORIGIN MADE

4. Install the G9 light bulb in the Nest Lamp.



5. Place the blown glass globe onto the light bulb by rotating it clockwise using hands.

